

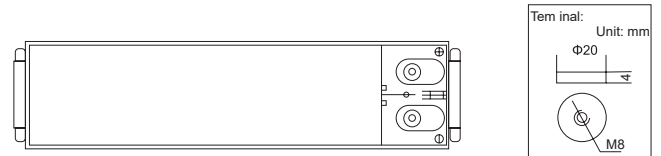
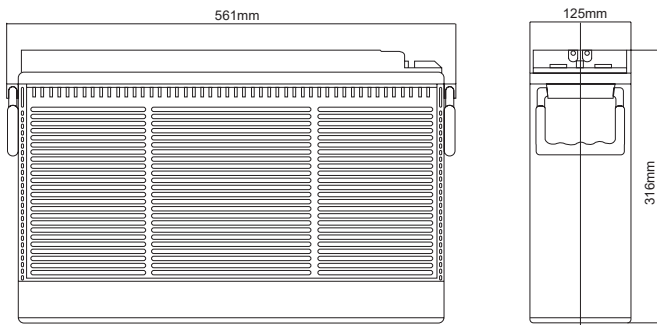
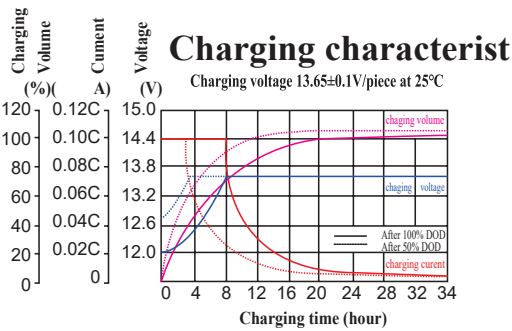
FCTG SERIES-FRONT ACCESS GEL BATTERY

FCTG12-190



- Front access terminal design
- Maintenance-free operation
- Low self-discharge
- Gel technology

CHARGING AND DISCHARGING CHARACTERISTICS:



TECHNICAL SPECIFICATIONS

Nominal Voltage		12V
Nominal Capacity (10 hour rate)		190Ah
Capacity 25°C (77 °F)	20 hour rate (4.2A) 8 hour rate (9.6A) 5 hour rate (14A) 1 hour rate (55.4A)	199.6Ah 182.4Ah 169Ah 114.5Ah
Internal Resistance	Full Charged Battery 25°C	≤2.1mΩ
Capacity affected by Temperature (10 hr Capacity)	40°C (104 °F) 25°C (77 °F) 0°C (32 °F) -15°C (5 °F)	102% 100% 85% 65%
Self-Discharge 25°C (77 °F) Capacity	after 3 month storage after 6 month storage after 12 month storage	90% 80% 62%
Charge (Constant Voltage) 25°C	Standby Use	Initial Charging Current Less than 38A Voltage 13.6-13.8V
	Cycle Use	Initial Charging Current Less than 38A Voltage 14.4-14.9V